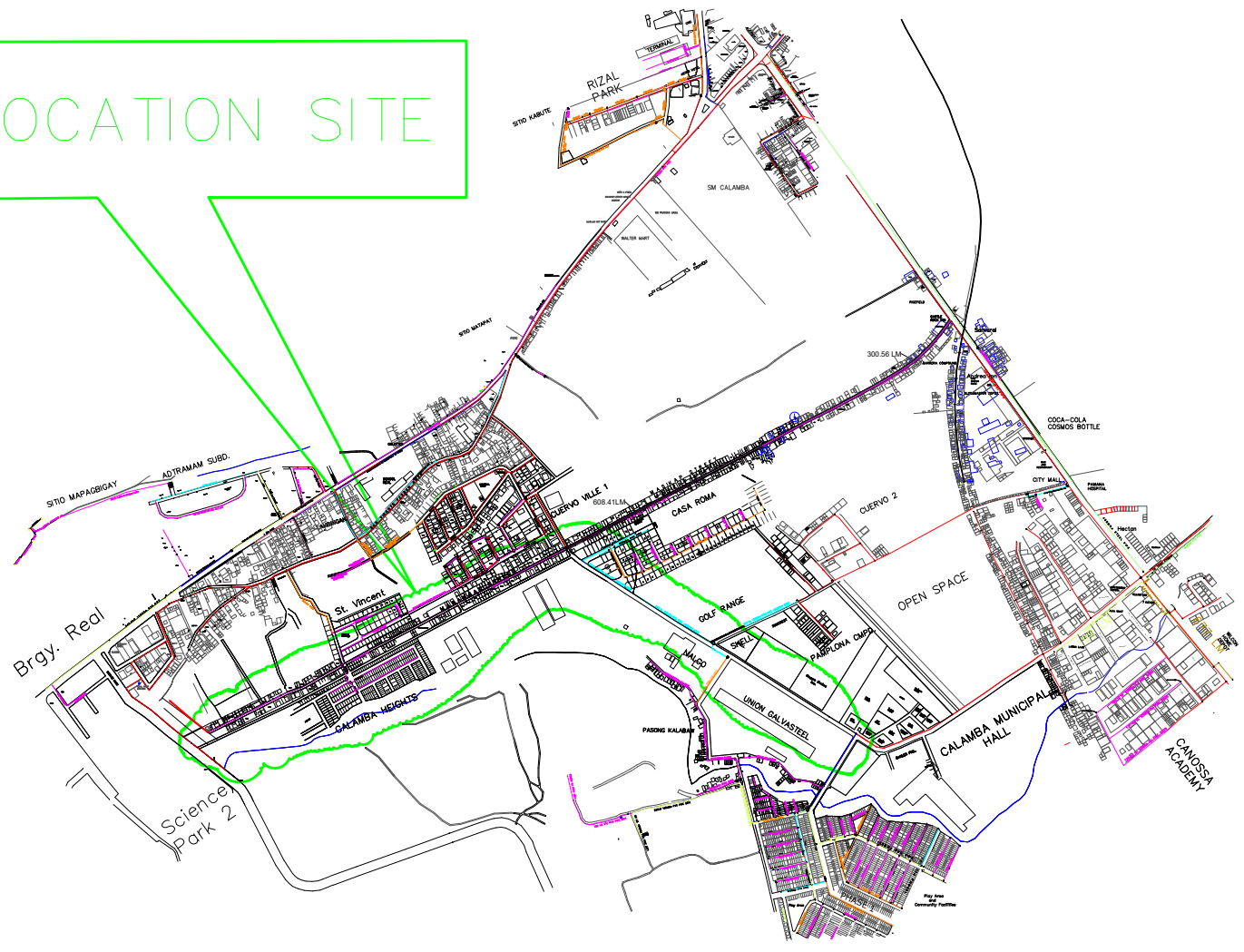


LOCATION SITE



LOCATION PLAN  
SCALE NTS

This design or drawing is the sole property of Calamba Water District. No part of this design or drawing may be reproduced or transmitted in any form or by any means without the written consent of its owner.



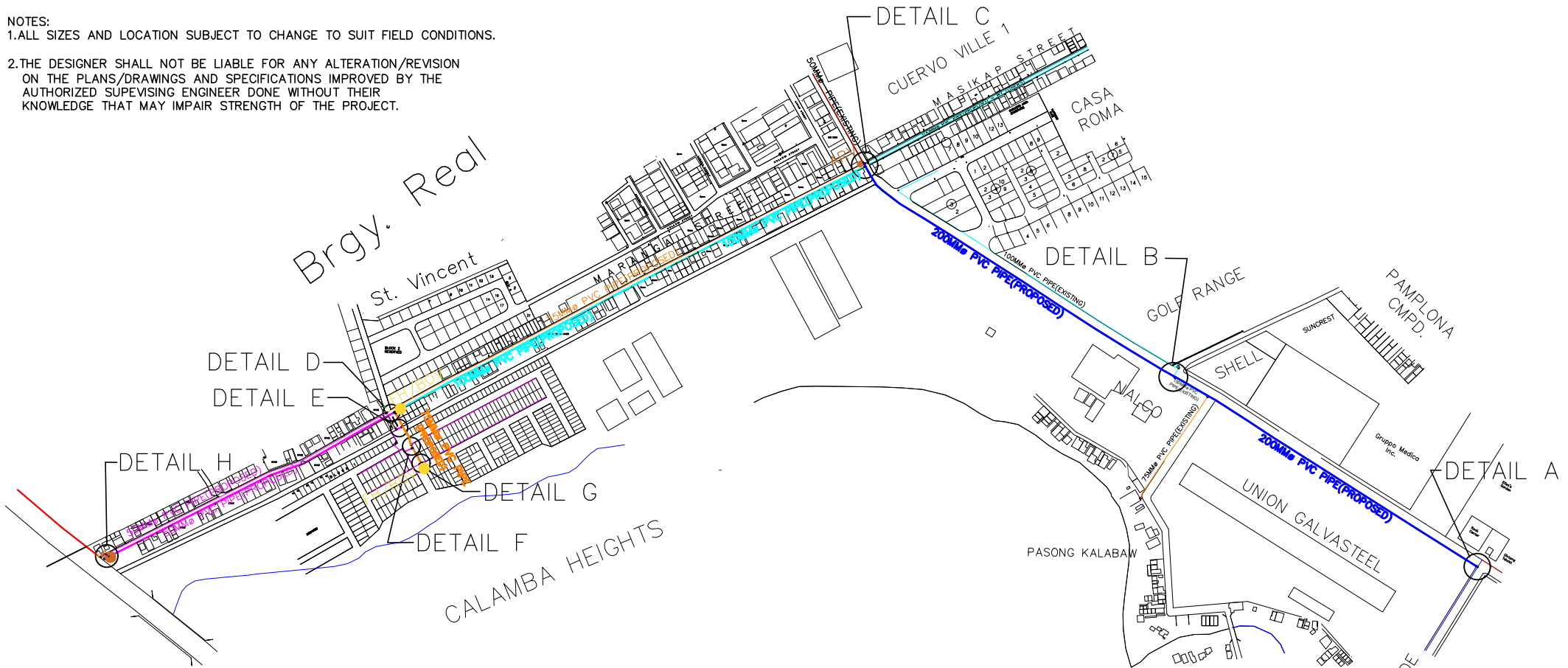
**CALAMBA WATER DISTRICT**  
ENGINEERING DEPARTMENT  
PLANNING AND DESIGN DIVISION

LAKEVIEW SUBD., HALANG, CALAMBA CITY

PROJECT TITLE:	AUTOCAD BY: MR. FERNANDO H. ARELLANO JR.
REHABILITATION OF WATER LINES	DESIGNED BY: MR. FERNANDO H. ARELLANO JR.
LOCATION:	CHECKED BY: ENGR. RENANTE A. CAPITILE
Calamba Heights Subd., Brgy Real, Calamba City	RECOMMENDED BY: ENGR. JOSELITO A. GILLERA
	APPROVED BY: MR. EXEQUIEL AGUILAR JR.

SHEET CONTENTS:	DATE:
AS INDICATED ABOVE	4-28-2021
	SHEET NO.
	CH - 1

NOTES:  
 1. ALL SIZES AND LOCATION SUBJECT TO CHANGE TO SUIT FIELD CONDITIONS.  
 2. THE DESIGNER SHALL NOT BE LIABLE FOR ANY ALTERATION/REVISION ON THE PLANS/DRAWINGS AND SPECIFICATIONS IMPROVED BY THE AUTHORIZED SUPERVISING ENGINEER DONE WITHOUT THEIR KNOWLEDGE THAT MAY IMPAIR STRENGTH OF THE PROJECT.



- LEGEND :
- 200mmø PVC PIPE( 682.26LM)
  - 100mmø PVC PIPE(481.77 LM)
  - 100mmø GI PIPE(14.0 LM)
  - 75mmø PVC PIPE(531.63LM)
  - 50mmø PVC PIPE(668.62LM)
  - FIRE HYDRANT/BLOW-OFF VALVE
  - AIR RELEASE VALVE

**WATER DISTRIBUTION LINE**  
 SCALE 1 : 500



**CALAMBA WATER DISTRICT**  
 ENGINEERING DEPARTMENT  
 PLANNING AND DESIGN DIVISION

LAKEVIEW SUBD., HALANG, CALAMBA CITY

PROJECT TITLE:  
 REHABILITATION OF WATER LINES

LOCATION:  
 Calamba Heights Subd., Brgy Real, Calamba City

AUTOCAD BY: MR. FERNANDO H. ARELLANO JR.  
 DESIGNED BY: MR. FERNANDO H. ARELLANO JR.  
 CHECKED BY: ENGR. RENANTE A. CAPITILE  
 RECOMMENDED BY: ENGR. JOSELITO A. GILLERA  
 APPROVED BY: MR. EXEQUIEL AGUILAR JR.

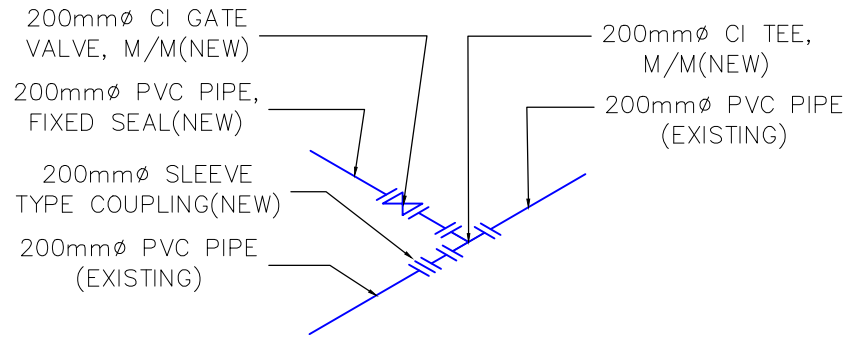
SHEET CONTENTS:  
 AS INDICATED ABOVE

DATE:  
 4-28-2021

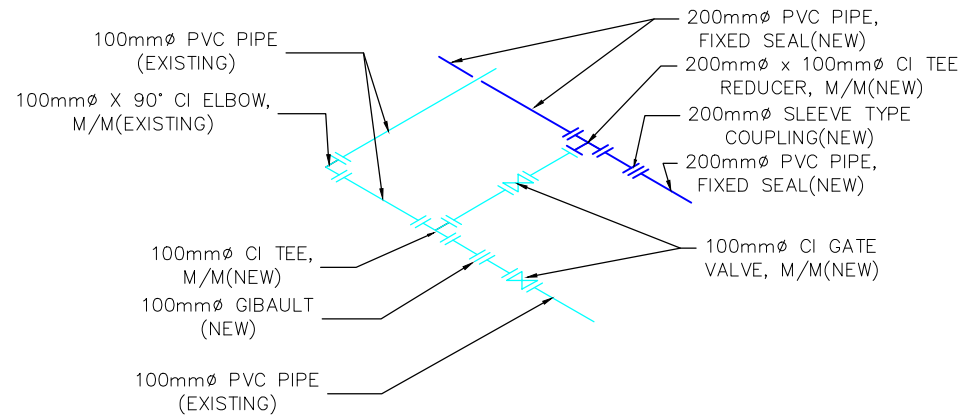
SHEET NO.  
 CH - 2

This design or drawing is the sole property of Calamba Water District. No part of this design or drawing may be reproduced or transmitted in any form or by any means without the written consent of its owner.

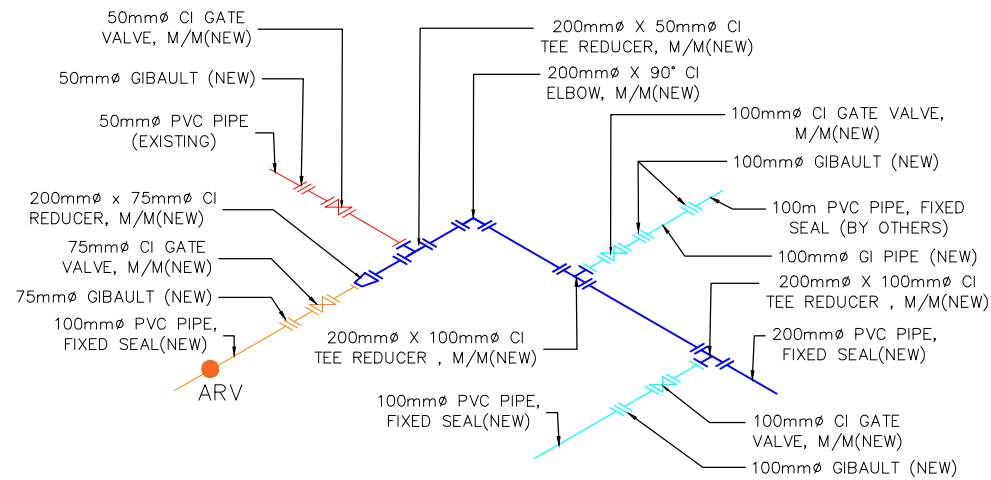
This design or drawing is the sole property of Calamba Water District. No part of this design or drawing may be reproduced or transmitted in any form or by any means without the written consent of its owner.



DETAIL A



DETAIL B



DETAIL C



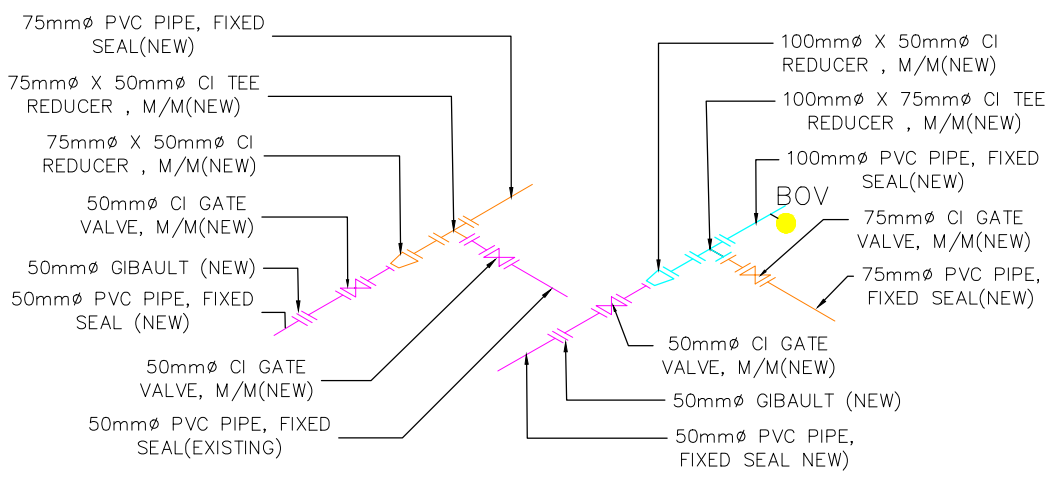
**CALAMBA WATER DISTRICT**  
 ENGINEERING DEPARTMENT  
 PLANNING AND DESIGN DIVISION

LAKEVIEW SUBD., HALANG, CALAMBA CITY

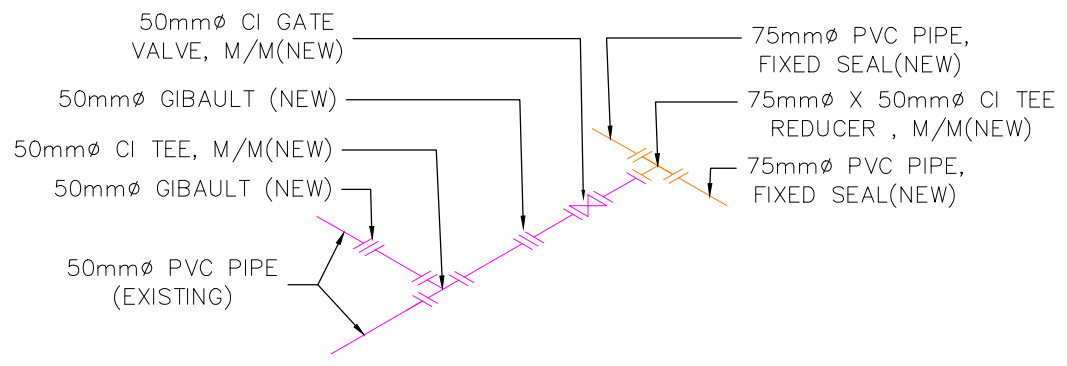
PROJECT TITLE:	AUTOCAD BY: MR. FERNANDO H. ARELLANO JR.
REHABILITATION OF WATER LINES	DESIGNED BY: MR. FERNANDO H. ARELLANO JR.
	CHECKED BY: ENGR. RENANTE A. CAPITILE
LOCATION:	RECOMMENDED BY: ENGR. JOSELITO A. GILLERA
Calamba Heights Subd., Brgy Real, Calamba City	APPROVED BY: MR. EXEQUIEL AGUILAR JR.

SHEET CONTENTS:	DATE:
DETAILED DRAWINGS	4-29-2021
	SHEET NO.
	CH - 3

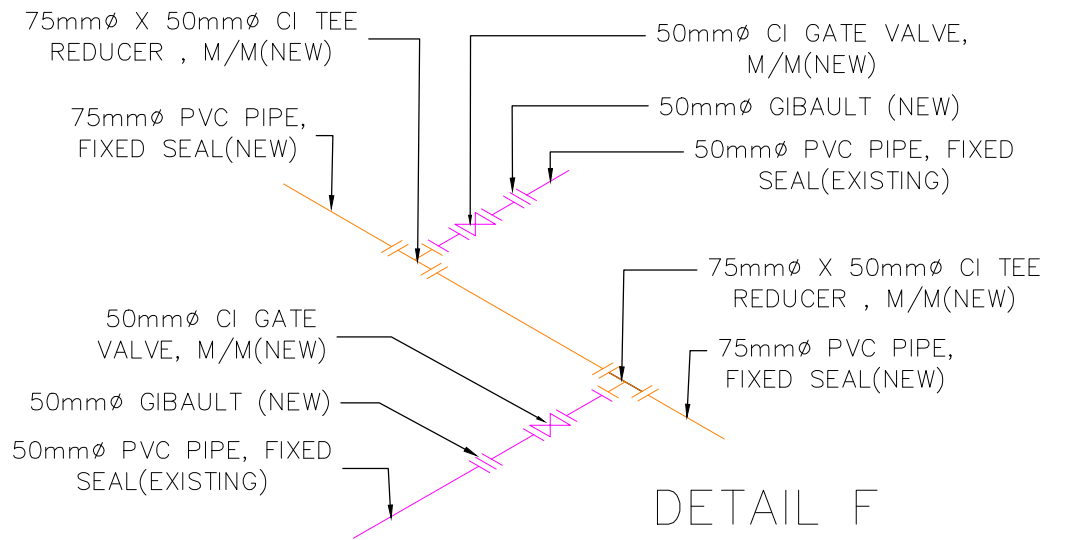
This design or drawing is the sole property of Calamba Water District. No part of this design or drawing may be reproduced or transmitted in any form or by any means without the written consent of its owner.



DETAIL D



DETAIL E



DETAIL F

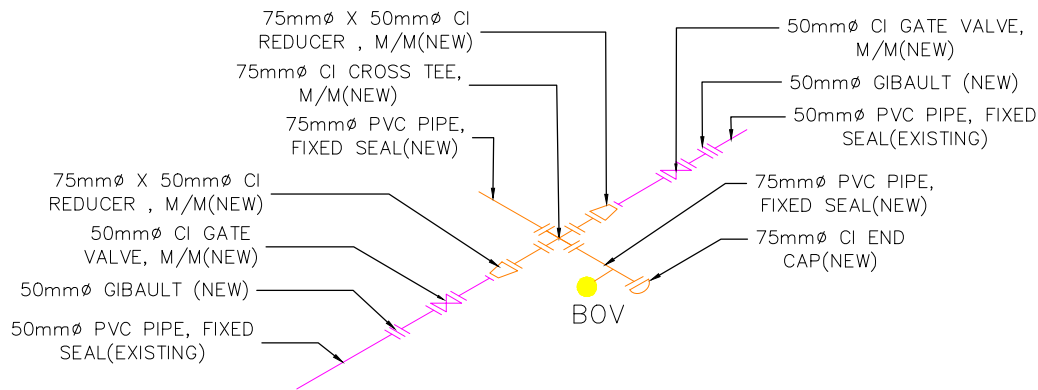
**CALAMBA WATER DISTRICT**  
ENGINEERING DEPARTMENT  
PLANNING AND DESIGN DIVISION

LAKEVIEW SUBD., HALANG, CALAMBA CITY

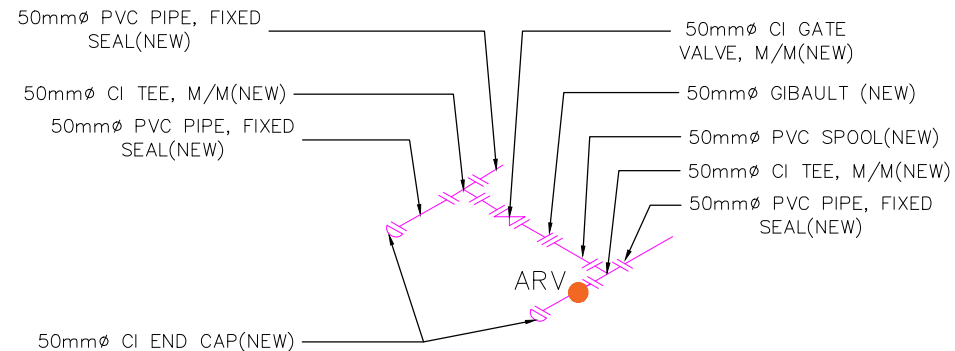
<b>PROJECT TITLE:</b>	AUTOCAD BY: MR. FERNANDO H. ARELLANO JR.
<b>REHABILITATION OF WATER LINES</b>	DESIGNED BY: MR. FERNANDO H. ARELLANO JR.
	CHECKED BY: ENGR. RENANTE A. CAPITILE
<b>LOCATION:</b>	RECOMMENDED BY: ENGR. JOSELITO A. GILLERA
Calamba Heights Subd., Brgy Real, Calamba City	APPROVED BY: MR. EXEQUIEL AGUILAR JR.

<b>SHEET CONTENTS:</b>	<b>DATE:</b>
<b>DETAILED DRAWINGS</b>	4-29-2021
	<b>SHEET NO.</b>
	CH - 4

This design or drawing is the sole property of Calamba Water District. No part of this design or drawing may be reproduced or transmitted in any form or by any means without the written consent of its owner.




DETAIL G



DETAIL H

NOTE:  
 1. EXISTING 1 1/2"Ø PE PIPE CONNECTED TO REAL PUMPING STATION TO BE CUT AND FITTED WITH MALE CONNECTOR WITH GI PIPE CAP.



**CALAMBA WATER DISTRICT**  
 ENGINEERING DEPARTMENT  
 PLANNING AND DESIGN DIVISION

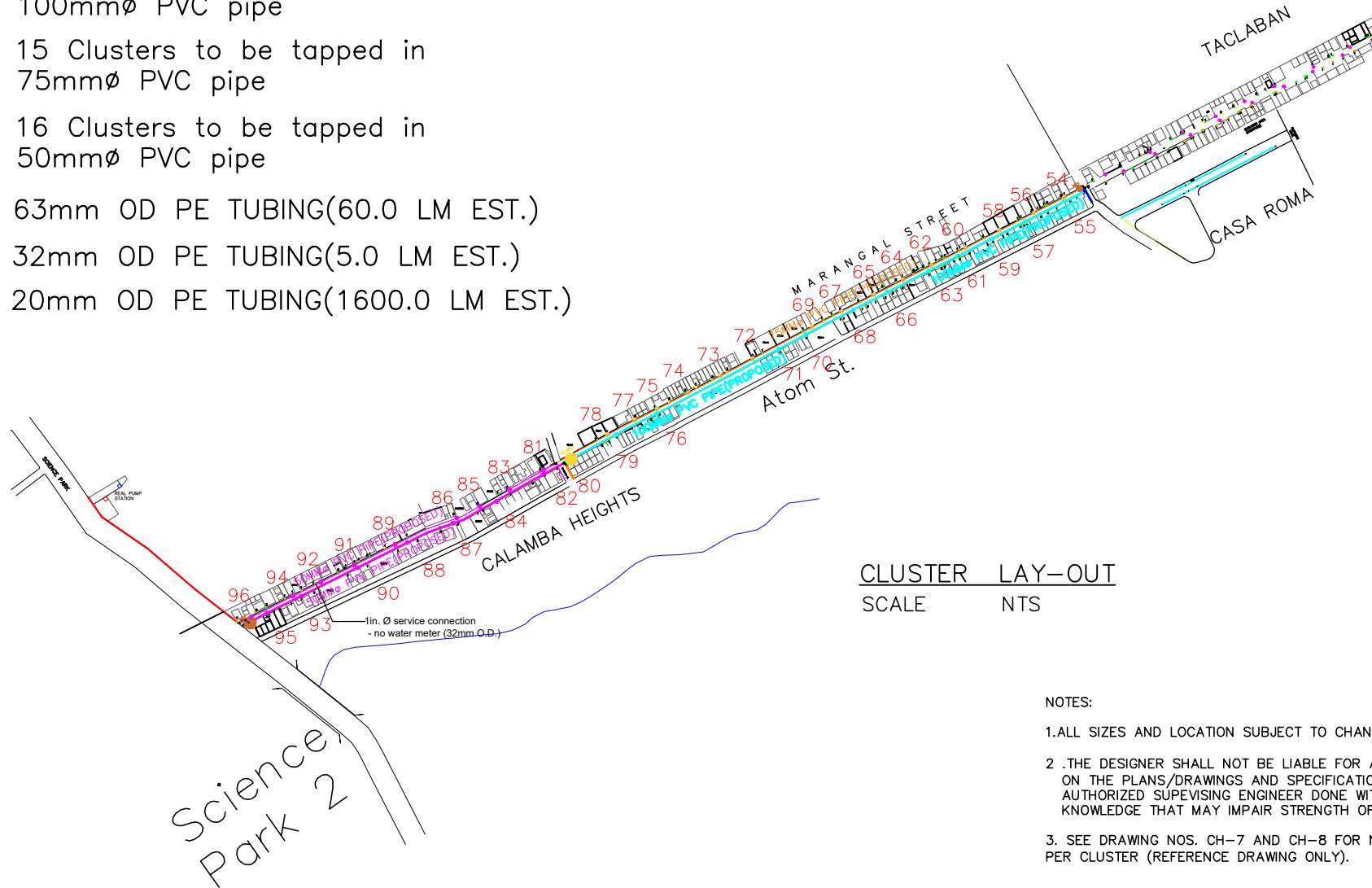
PROJECT TITLE:	REHABILITATION OF WATER LINES
LOCATION:	Calamba Heights Subd., Brgy Real, Calamba City

AUTOCAD BY:	MR. FERNANDO H. ARELLANO JR.
DESIGNED BY:	MR. FERNANDO H. ARELLANO JR.
CHECKED BY:	ENGR. RENANTE A. CAPITILE
RECOMMENDED BY:	ENGR. JOSELITO A. GILLERA
APPROVED BY:	MR. EXEQUIEL AGUILAR JR.

SHEET CONTENTS:	DATE:
DETAILED DRAWINGS	4-29-2021
	SHEET NO.
	CH - 5

**MEASUREMENT:**

- 12 Clusters to be tapped in 100mmØ PVC pipe
  - 15 Clusters to be tapped in 75mmØ PVC pipe
  - 16 Clusters to be tapped in 50mmØ PVC pipe
- 63mm OD PE TUBING(60.0 LM EST.)  
 32mm OD PE TUBING(5.0 LM EST.)  
 20mm OD PE TUBING(1600.0 LM EST.)



**CLUSTER LAY-OUT**  
 SCALE NTS

**NOTES:**

1. ALL SIZES AND LOCATION SUBJECT TO CHANGE TO SUIT FIELD CONDITIONS.
2. THE DESIGNER SHALL NOT BE LIABLE FOR ANY ALTERATION/REVISION ON THE PLANS/DRAWINGS AND SPECIFICATIONS IMPROVED BY THE AUTHORIZED SUPERVISING ENGINEER DONE WITHOUT THEIR KNOWLEDGE THAT MAY IMPAIR STRENGTH OF THE PROJECT.
3. SEE DRAWING NOS. CH-7 AND CH-8 FOR NUMBER OF WATER METERS PER CLUSTER (REFERENCE DRAWING ONLY).



**CALAMBA WATER DISTRICT**  
 ENGINEERING DEPARTMENT  
 PLANNING AND DESIGN DIVISION

LAKEVIEW SUBD., HALANG, CALAMBA CITY

**PROJECT TITLE:**  
 REHABILITATION OF WATER LINES

**LOCATION:**  
 Calamba Heights Subd., Brgy Real, Calamba City

**AUTOCAD BY:** MR. FERNANDO H. ARELLANO JR.  
**DESIGNED BY:** MR. FERNANDO H. ARELLANO JR.  
**CHECKED BY:** ENGR. RENANTE A. CAPITILE  
**RECOMMENDED BY:** ENGR. JOSELITO A. GILLERA  
**APPROVED BY:** MR. EXEQUIEL AGUILAR JR.

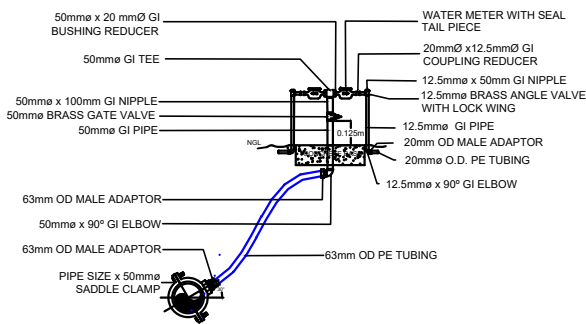
**SHEET CONTENTS:**  
 AS INDICATED ABOVE

**DATE:**  
 5-25-2021

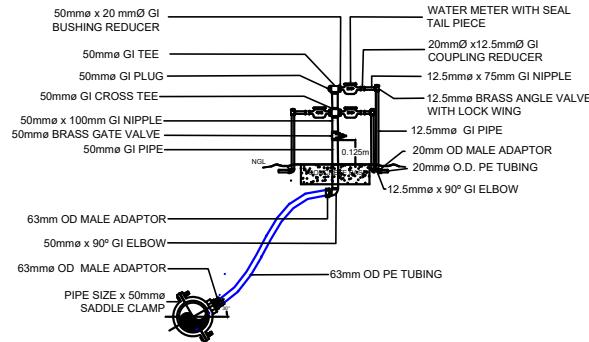
**SHEET NO.**  
 CH - 6

This design or drawing is the sole property of Calamba Water District. No part of this design or drawing may be reproduced or transmitted in any form or by any means without the written consent of its owner.

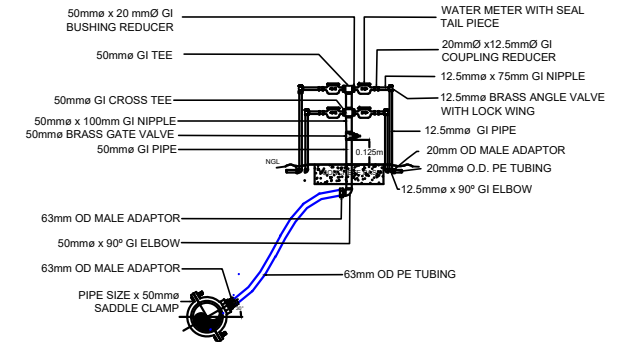
This design or drawing is the sole property of Calamba Water District. No part of this design or drawing may be reproduced or transmitted in any form or by any means without the written consent of its owner.



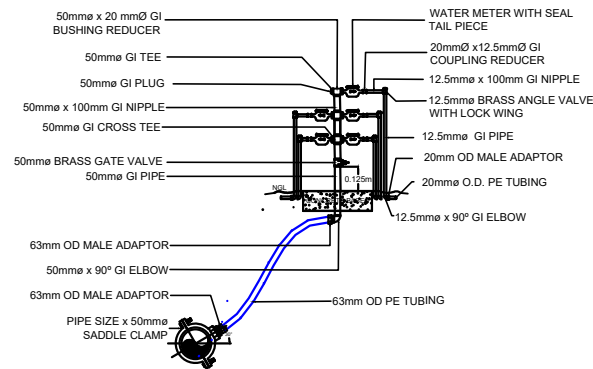
C69, C72, C78,  
C86, C90 & C92



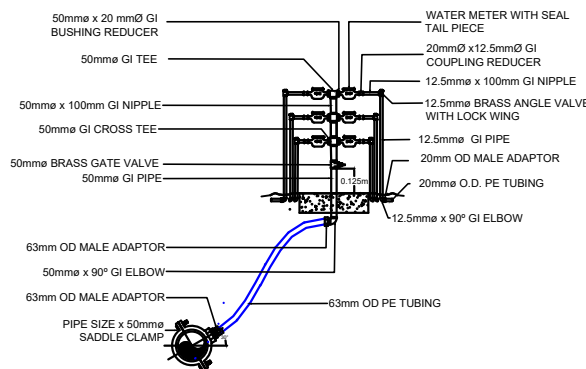
C59, C60, C67, C70,  
C81, C88 & C94



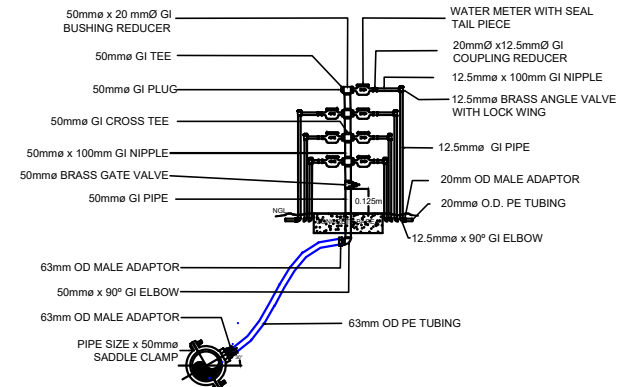
C54, C58, C71, C74,  
C75, C82, & C84



C55, C63, C68,  
C77, C85, C87,  
C89 & C91



C62, C73, C76,  
C93, C95 & C96



C79 & C83



**CALAMBA WATER DISTRICT**  
ENGINEERING DEPARTMENT  
PLANNING AND DESIGN DIVISION

LAKEVIEW SUBD., HALANG, CALAMBA CITY

PROJECT TITLE:  
REHABILITATION OF WATER LINES

LOCATION:  
Calamba Heights Subd., Brgy Real, Calamba City

AUTOCAD BY: MR. FERNANDO H. ARELLANO JR.  
DESIGNED BY: MR. FERNANDO H. ARELLANO JR.  
CHECKED BY: ENGR. RENANTE A. CAPITTE  
RECOMMENDED BY: ENGR. JOSELITO A. GILLERA  
APPROVED BY: MR. EXEQUIEL AGUILAR JR.

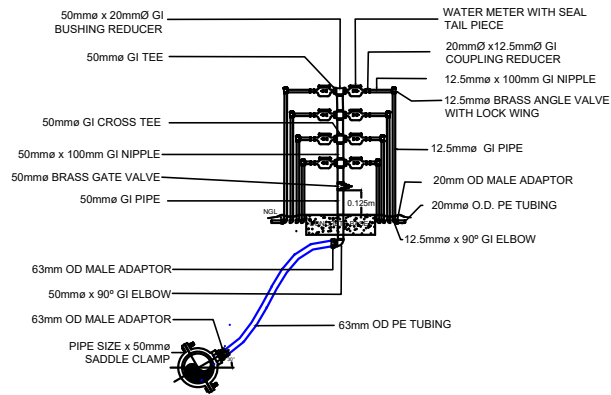
SHEET CONTENTS:  
CLUSTER DETAILS  
FOR 100mmØ AND  
75mmØ PIPE

DATE:  
5-25-2021

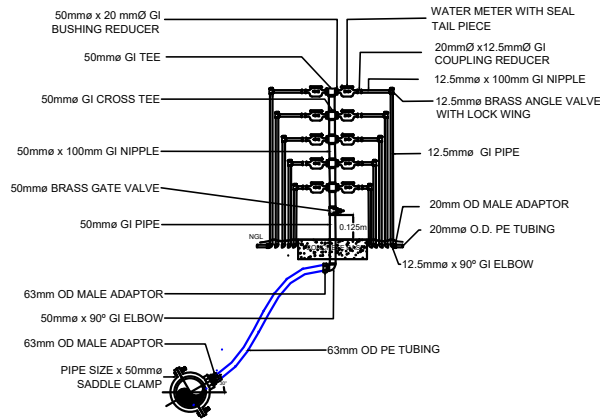
SHEET NO.  
CH - 7



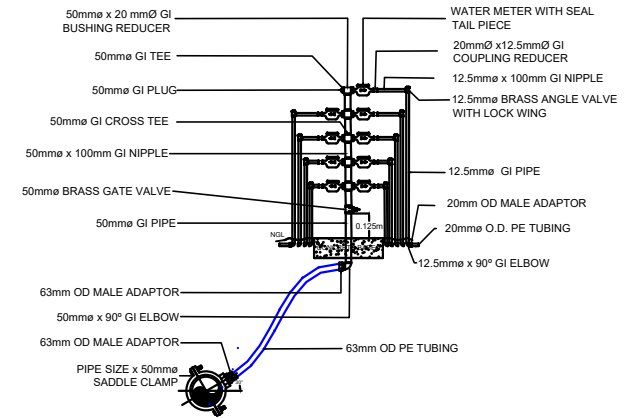
This design or drawing is the sole property of Calamba Water District. No part of this design or drawing may be reproduced or transmitted in any form or by any means without the written consent of its owner.



C65, & C68



C64



C56, C57 & 61

NOTES:  
 1. CLUSTER NO. 80 WITH 11 WATER METERS. SAME INSTALLATION AS EXISTING BUT SERVICE CONNECTION FROM THE DISTRIBUTION LINE TO CLUSTER ASSEMBLY SHOULD BE 50mm $\phi$



**CALAMBA WATER DISTRICT**  
 ENGINEERING DEPARTMENT  
 PLANNING AND DESIGN DIVISION

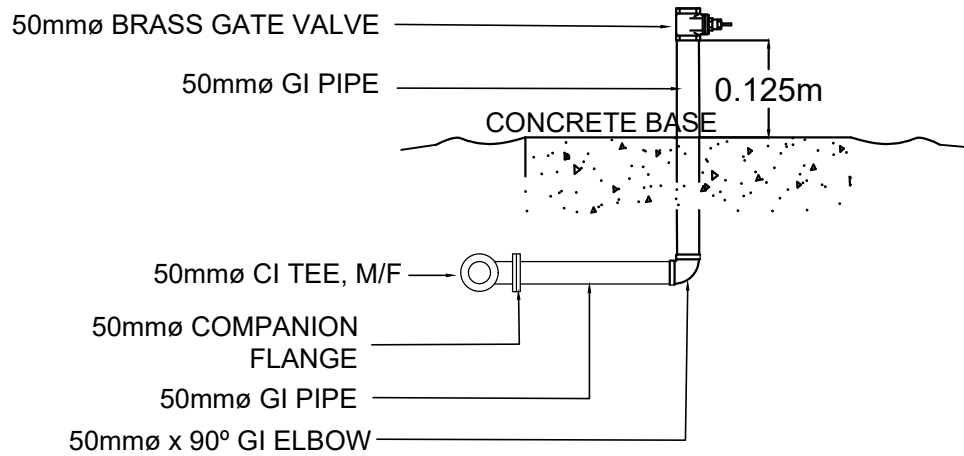
LAKEVIEW SUBD., HALANG, CALAMBA CITY

PROJECT TITLE:	AUTOCAD BY: MR. FERNANDO H. ARELLANO JR.
REHABILITATION OF WATER LINES	DESIGNED BY: MR. FERNANDO H. ARELLANO JR.
LOCATION:	CHECKED BY: ENGR. RENANTE A. CAPITILE
Calamba Heights Subd., Brgy Real, Calamba City	RECOMMENDED BY: ENGR. JOSELITO A. GILLERA
	APPROVED BY: MR. EXEQUIEL AGUILAR JR.

SHEET CONTENTS:	DATE:
CLUSTER DETAILS FOR 100mm $\phi$ AND 75mm $\phi$ PIPE	5-25-2021
	SHEET NO.
	CH - 8



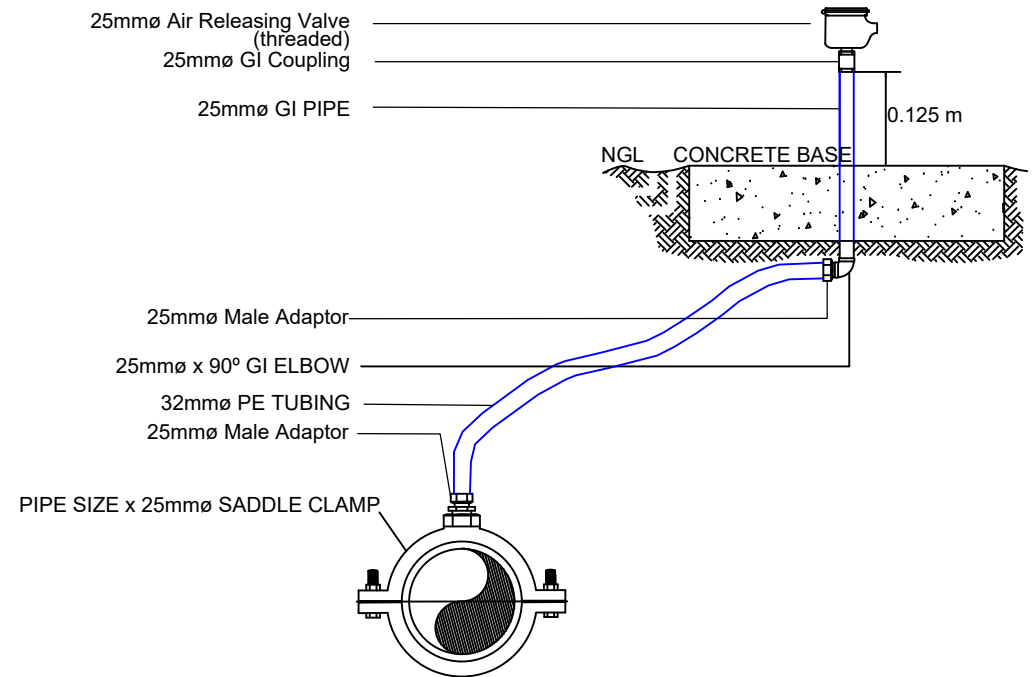
This design or drawing is the sole property of Calamba Water District. No part of this design or drawing may be reproduced or transmitted in any form or by any means without the written consent of its owner.



SERVICE CONNECTION FOR 50mmØ PIPE  
SCALE: NTS

NOTES:

1. ALL SIZES AND LOCATION SUBJECT TO CHANGE TO SUIT FIELD CONDITIONS.
2. THE DESIGNER SHALL NOT BE LIABLE FOR ANY ALTERATION/REVISION ON THE PLANS/DRAWINGS AND SPECIFICATIONS IMPROVED BY THE AUTHORIZED SUPERVISING ENGINEER DONE WITHOUT THEIR KNOWLEDGE THAT MAY IMPAIR STRENGTH OF THE PROJECT.



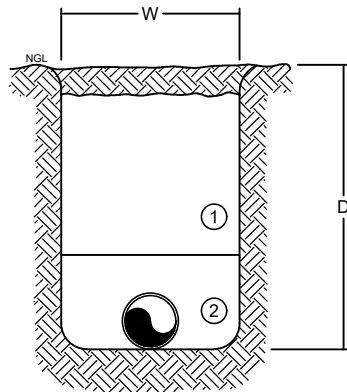
ARV ASSEMBLY PLAN  
SCALE: NTS



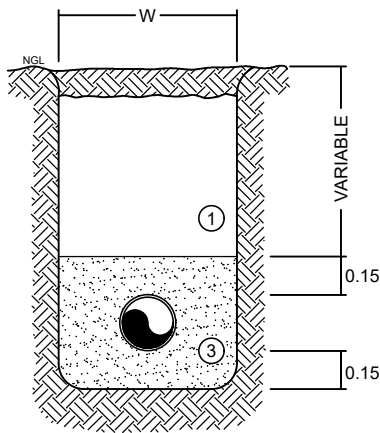
**CALAMBA WATER DISTRICT**  
ENGINEERING DEPARTMENT  
PLANNING AND DESIGN DIVISION

LAKEVIEW SUBD., HALANG, CALAMBA CITY

PROJECT TITLE:	AUTOCAD BY: MR. FERNANDO H. ARELLANO JR.	SHEET CONTENTS:	DATE:
REHABILITATION OF WATER LINES	DESIGNED BY: MR. FERNANDO H. ARELLANO JR.	AS INDICATED ABOVE	5-28-2021
LOCATION:	CHECKED BY: ENGR. RENANTE A. CAPITILE		SHEET NO.
Calamba Heights Subd., Brgy Real, Calamba City	RECOMMENDED BY: ENGR. JOSELITO A. GILLERA		CH - 9
	APPROVED BY: MR. EXEQUIEL AGUILAR JR.		



NORMAL INSTALLATION  
WHERE SAND BEDDING  
BACKFILL NOT REQUIRED



IN ROCK OR WHEN  
ORDERED BY ENGINEER

TABLE OF TRENCH DIMENSIONS (IN METERS)			
Pipe Diameter (mm)	Minimum Width (W)	Maximum Width (W)	Depth (D)
50mmø	0.20	0.30	0.60
75mmø	0.20	0.30	0.90
100mmø	0.40	0.70	0.95
150mmø	0.45	0.75	1.00
200mmø	0.50	0.80	1.05
250mmø	0.55	0.85	1.10
300mmø	0.60	0.90	1.15
350mmø	0.65	0.95	1.20
400mmø	0.70	1.00	1.25
450mmø	0.75	1.05	1.30
500mmø	0.80	1.10	1.35
600mmø	0.90	1.20	1.45

- LEGEND:
1. COMPACTED SELECTED NATIVE MATERIAL BACKFILL (SEE SPEC.)
  2. COMPACTED SELECTED NATIVE MATERIAL IN 0.15 LAYERS (SEE SPEC.)
  3. APPROVED SAND BEDDING & BACKFILL HAND PLACED AND COMPACTED.
  4. PAYMENT FOR ANY RESURFACING WILL BE BASED ON MAXIMUM TRENCH WIDTHS PER SIZE PIPE SHOWN.

NOTE:  
ALL DIMENSIONS IN METERS EXCEPT WHERE OTHERWISE SHOWN.

## TYPICAL TRENCH DETAILS

SCALE: NTS



**CALAMBA WATER DISTRICT**  
ENGINEERING DEPARTMENT  
PLANNING AND DESIGN DIVISION

LAKEVIEW SUBD., HALANG, CALAMBA CITY

PROJECT TITLE:

REHABILITATION OF WATER LINES

LOCATION:

Calamba Heights Subd., Brgy Real, Calamba City

AUTOCAD BY:

MR. FERNANDO H. ARELLANO JR.

DESIGNED BY:

MR. FERNANDO H. ARELLANO JR.

CHECKED BY:

ENGR. RENANTE A. CAPITILE

RECOMMENDED BY:

ENGR. JOSELITO A. GILLERA

APPROVED BY:

MR. EXEQUIEL AGUILAR JR.

SHEET CONTENTS:

AS INDICATED  
ABOVE

DATE:

4-30-2021

SHEET NO.

SD-1

This design or drawing is the sole property of Calamba Water District. No part of this design or drawing may be reproduced or transmitted in any form or by any means without the written consent of its owner.

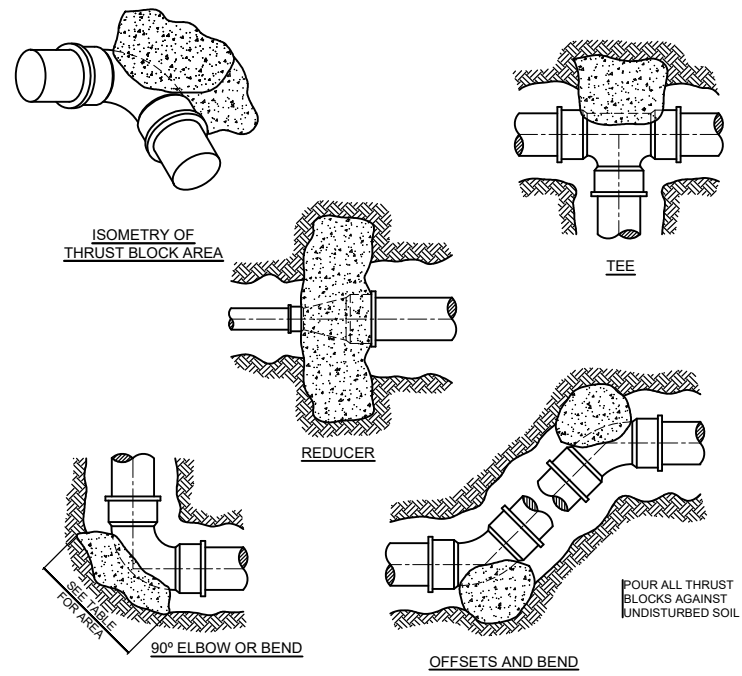



TABLE OF MINIMUM THRUST BLOCK AREA IN SQ. M.

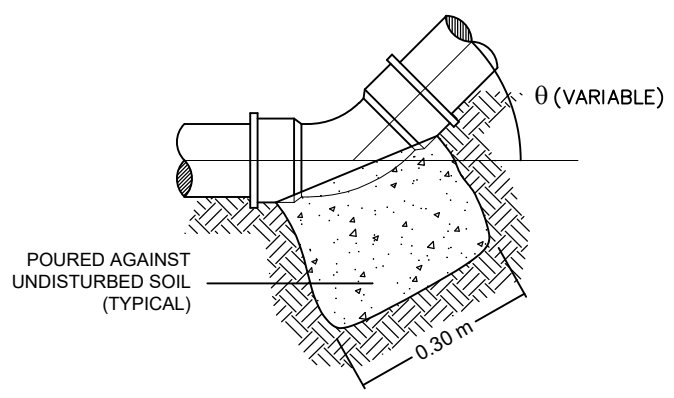
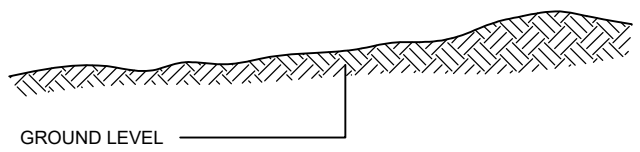
PIPE SIZE (mm)	TEE & DEAD END	90° BEND	45° BEND	22½° BEND
75	0.05	0.07	0.04	0.02
100	0.09	0.12	0.07	0.04
150	0.20	0.28	0.15	0.08
200	0.35	0.50	0.27	0.14
250	0.55	0.77	0.42	0.21
300	0.79	1.11	0.60	0.31
350	1.07	1.52	0.82	0.42
400	1.4	1.98	1.07	0.55
450	1.77	2.51	1.36	0.69
500	2.19	3.1	1.68	0.85
600	3.15	4.46	2.42	1.23

- NOTES:
- ABOVE AREAS BASED ON AN ASSUMED SOIL BEARING PRESSURE OF 96 kPa (2000 psf).
  - REDUCE OR INCREASE AREAS PROPORTIONATELY TO SUIT ACTUAL FIELD CONDITIONS UPON APPROVAL OF ENGINEER.
  - CONCRETE FOR THRUST BLOCK SHALL BE 13.8 MPa (2000 psi).
  - ALL CONCRETE SHALL BE POURED TO AVOID INTERFERENCE WITH JOINTS.
  - THRUST BLOCKS NOT REQUIRED ON STEEL PIPELINE WITH WELDED OR FLANGE JOINTS OR ON SOLVENT WELDED PVC PIPE.
  - WHERE PIPE CONNECTS TO A FITTING IN A STEEL PIPELINE SHALL BE BLOCKED AS SHOWN HEREON.
  - BEARING AREAS BASED ON INTERNAL PRESSURE OF 106m (150psi).

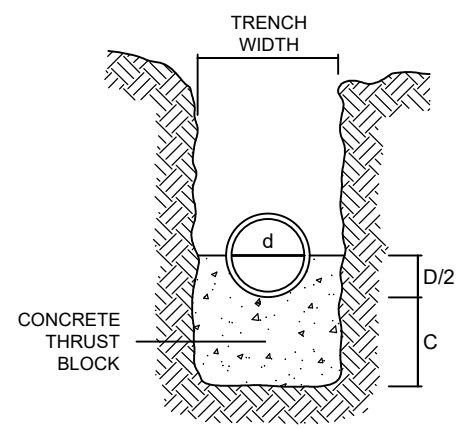
**HORIZONTAL CONCRETE THRUST BLOCK DETAILS**  
SCALE: NTS

 <p><b>CALAMBA WATER DISTRICT</b> ENGINEERING DEPARTMENT PLANNING AND DESIGN DIVISION</p> <p>LAKEVIEW SUBD., HALANG, CALAMBA CITY</p>	PROJECT TITLE:	AUTOCAD BY:	MR. FERNANDO H. ARELLANO JR.	SHEET CONTENTS:	DATE:
	REHABILITATION OF WATER LINES	DESIGNED BY:	MR. FERNANDO H. ARELLANO JR.	AS INDICATED ABOVE	4-30-2021
	LOCATION:	CHECKED BY:	ENGR. RENANTE A. CAPITILE		SHEET NO.
	Calamba Heights Subd., Brgy Real, Calamba City	RECOMMENDED BY:	ENGR. JOSELITO A. GILLERA		SD - 2
		APPROVED BY:	MR. EXEQUIEL AGUILAR JR.		

This design or drawing is the sole property of Calamba Water District. No part of this design or drawing may be reproduced or transmitted in any form or by any means without the written consent of its owner.



**ELEVATION**



**SECTION**

TABLE OF MINIMUM THRUST BLOCK DIMENSIONS FOR PIPE SIZES 75mmø TO 600mmø				
PIPE SIZE	"C"	THRUST BLOCK BEARING AREAS IN SQ. M.		
		90° BEND	45° BEND	22½° BEND
75 & 100	0.25	0.14	0.12	*
150	0.25	0.31	0.17	0.12
200	0.25	0.54	0.30	0.15
250	0.25	0.85	0.46	0.24
300	0.30	1.23	0.66	0.34
350	0.30	1.67	0.90	0.46
400	0.30	2.18	1.18	0.60
450	0.35	2.76	1.49	0.76
500	0.35	3.41	1.84	0.94
600	0.40	4.91	2.65	1.35


\* - THRUST BLOCK NOT REQUIRED

**NOTES:**

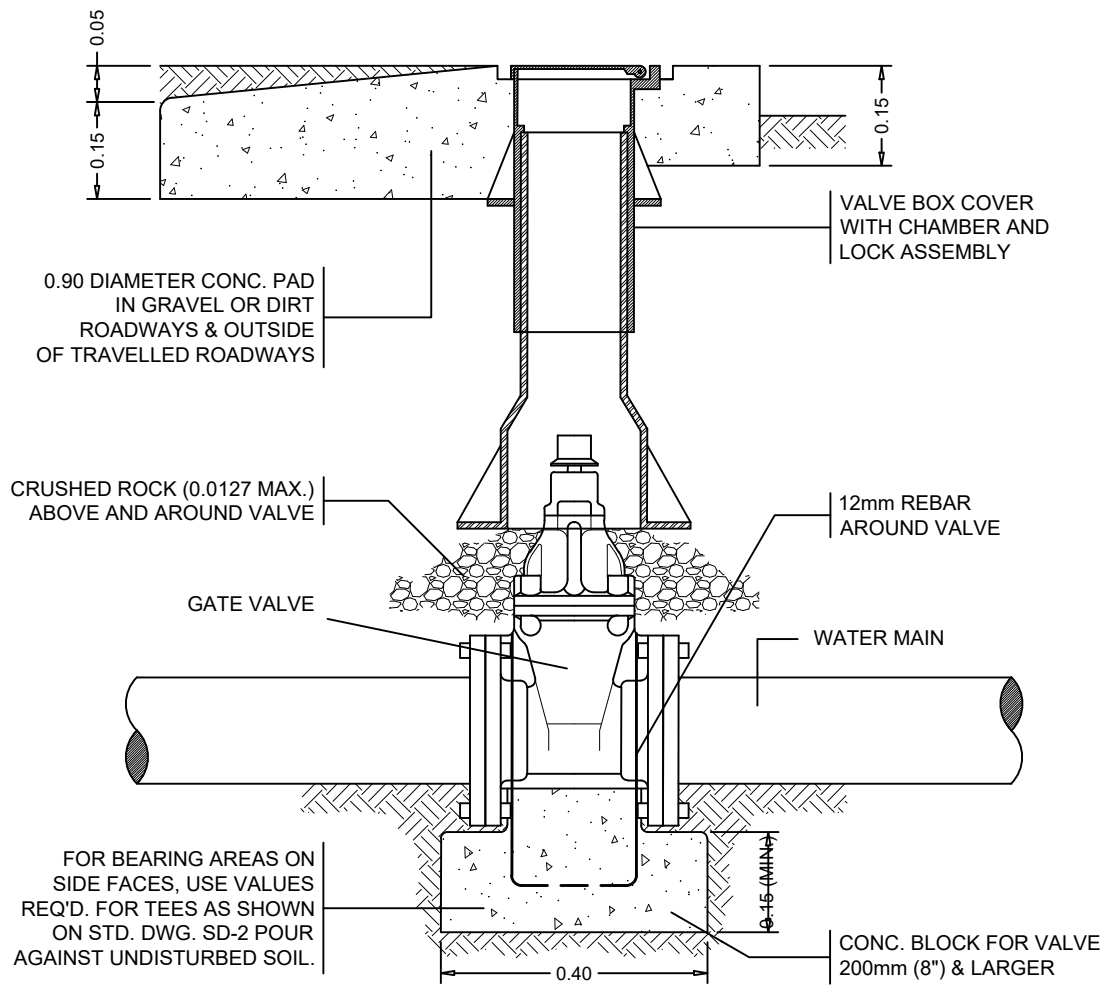
1. ABOVE AREAS BASED ON AN ASSUMED SOIL BEARING PRESSURE 96 kPa (2000 psf).
2. REDUCE OR INCREASE AREAS PROPORTIONATELY TO SUIT ACTUAL FIELD CONDITIONS UPON APPROVAL OF ENGINEER.
3. CONCRETE FOR THRUST BLOCK SHALL BE 13.8 MPa (2000 psi).
4. THRUST BLOCKS NOT REQUIRED ON STEEL PIPELINES WITH WELDED OR FLANGED JOINTS OR ON SOLVENT WELDED PVC PIPE.
5. WHERE PIPE CONNECTS TO A FITTING ON A STEEL PIPE LINE THE STEEL PIPELINE SHALL BE BLOCKED AS SHOWN HEREON.
6. BEARING AREAS BASED ON INTERNAL PRESSURE OF 106 m (150 psi).

**VERTICAL CONCRETE THRUST BLOCK DETAILS(DOWNWARD THRUST)**

SCALE: NTS

 <p><b>CALAMBA WATER DISTRICT</b> ENGINEERING DEPARTMENT PLANNING AND DESIGN DIVISION</p>	PROJECT TITLE:	AUTOCAD BY: MR. FERNANDO H. ARELLANO JR.	SHEET CONTENTS:	DATE:
	REHABILITATION OF WATER LINES	DESIGNED BY: MR. FERNANDO H. ARELLANO JR.	AS INDICATED ABOVE	4-30-2021
	LOCATION:	CHECKED BY: ENGR. RENANTE A. CAPITILE		SHEET NO.
	Calamba Heights Subd., Brgy Real, Calamba City	RECOMMENDED BY: ENGR. JOSELITO A. GILLERA		SD - 3
		APPROVED BY: MR. EXEQUIEL AGUILAR JR.		

This design or drawing is the sole property of Calamba Water District. No part of this design or drawing may be reproduced or transmitted in any form or by any means without the written consent of its owner.




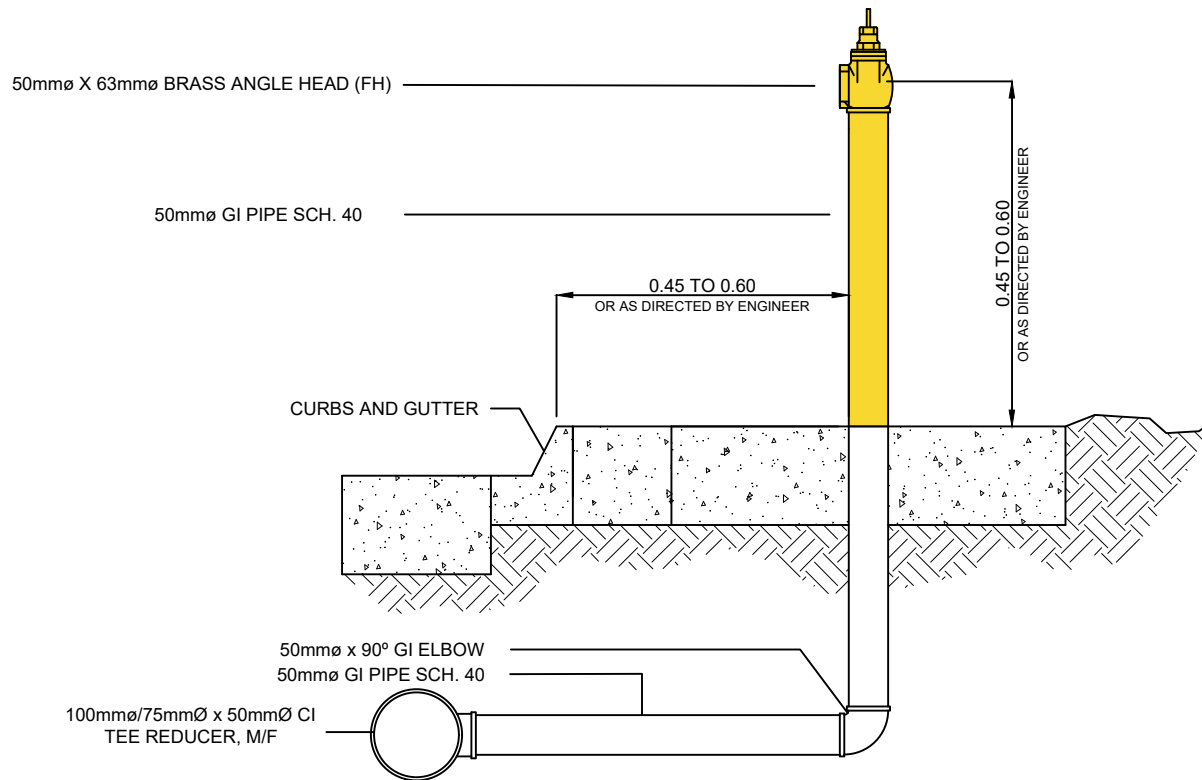
**NOTES:**

1. ALL DIMENSIONS IN METERS UNLESS OTHERWISE SHOWN. VALVES SHALL HAVE A MINIMUM COVER OF 0.30 m. MEASURED TO THE TOP OF THE OPERATING NUT.
2. VALVES SHALL BE INSTALLED ON EXTENSIONS OF PROPERTY LINES EXCEPT WHERE OTHERWISE SHOWN OR SPECIFIED.
3. USE FLANGED END GATE VALVES ON STEEL AND PVC PIPE LINE INSTALLATION.
4. CAST IRON OR STEEL COVER SHALL BE ADEQUATELY DESIGNED TO CARRY TRAFFIC LOADS.
5. CONCRETE BLOCK MAY BE OMITTED ON WELDED STEEL PIPE LINES AT OPTION OF CONTRACTOR.

## INSTALLATION OF BURIED GATE VALVE

SCALE: NTS

 <b>CALAMBA WATER DISTRICT</b> ENGINEERING DEPARTMENT PLANNING AND DESIGN DIVISION	PROJECT TITLE:	AUTOCAD BY: MR. FERNANDO H. ARELLANO JR.	SHEET CONTENTS:
	REHABILITATION OF WATER LINES	DESIGNED BY: MR. FERNANDO H. ARELLANO JR.	AS INDICATED ABOVE
	LOCATION:	CHECKED BY: ENGR. RENANTE A. CAPITILE	
	Calamba Heights Subd., Brgy Real, Calamba City	RECOMMENDED BY: ENGR. JOSELITO A. GILLERA	
	APPROVED BY: MR. EXEQUIEL AGUILAR JR.		DATE: 4-30-2021 SHEET NO. SD - 4



**FH/BLOW-OFF VALVE**  
SCALE: NTS

- NOTES:
1. ALL SIZES AND LOCATION SUBJECT TO CHANGE TO SUIT FIELD CONDITIONS.
  2. THE DESIGNER SHALL NOT BE LIABLE FOR ANY ALTERATION/REVISION ON THE PLANS/DRAWINGS AND SPECIFICATIONS IMPROVED BY THE AUTHORIZED SUPERVISING ENGINEER DONE WITHOUT THEIR KNOWLEDGE THAT MAY IMPAIR STRENGTH OF THE PROJECT.



**CALAMBA WATER DISTRICT**  
ENGINEERING DEPARTMENT  
PLANNING AND DESIGN DIVISION

LAKEVIEW SUBD., HALANG, CALAMBA CITY

PROJECT TITLE:	AUTOCAD BY: MR. FERNANDO H. ARELLANO JR.	SHEET CONTENTS:	DATE:
REHABILITATION OF WATER LINES	DESIGNED BY: MR. FERNANDO H. ARELLANO JR.	AS INDICATED ABOVE	4-30-2021
	CHECKED BY: ENGR. RENANTE A. CAPITILE		SHEET NO.
LOCATION:	RECOMMENDED BY: ENGR. JOSELITO A. GILLERA		SD - 7
Calamba Heights Subd., Brgy Real, Calamba City	APPROVED BY: MR. EXEQUIEL AGUILAR JR.		

This design or drawing is the sole property of Calamba Water District. No part of this design or drawing may be reproduced or transmitted in any form or by any means without the written consent of its owner.